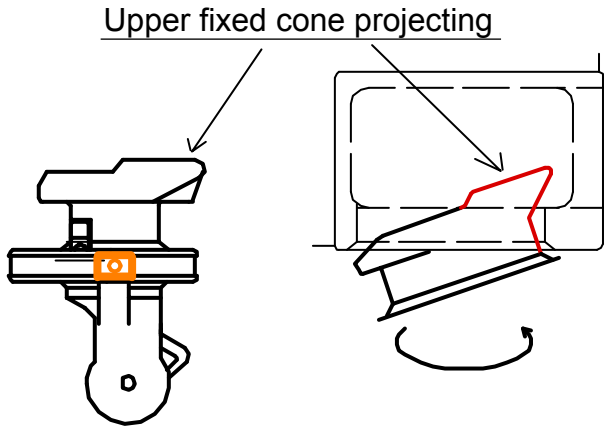
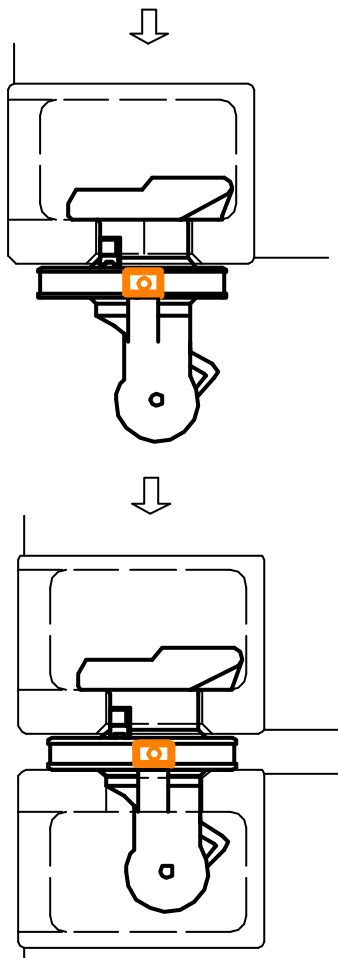


FULL AUTOMATIC TWIST LOCK FA-8

Setting (Before containr loading)

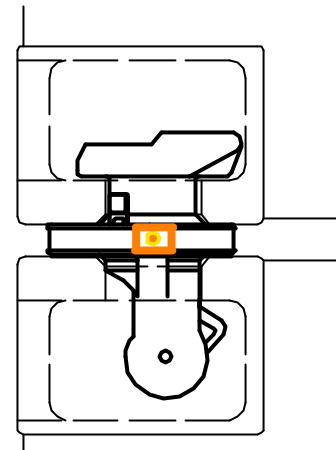


Insert upper fixed cone projecting into corner fitting and turn to counterclockwise. And then twist lock is automatically locked by locking mechanism.

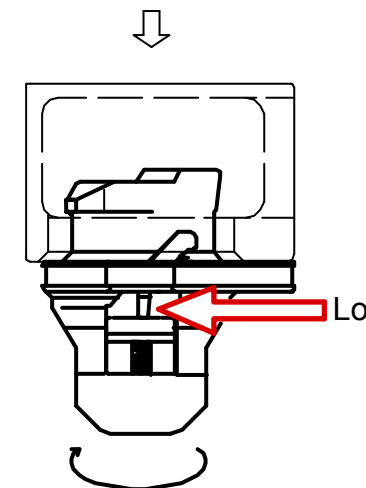
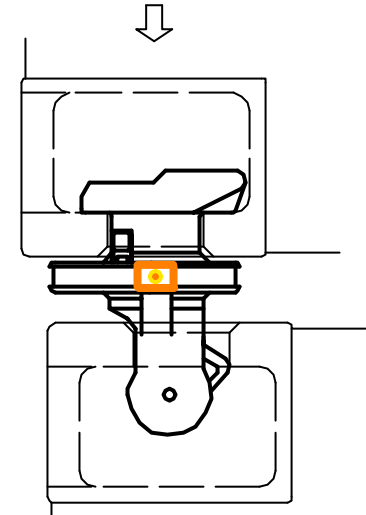


After stack container twist lock is locked automatically.

Take off (After container discharge)



Heave up container



Pushing lock pin to left, turn twist lock clockwise.

Twist lock comes down.

TAIYO FULL-AUTOMATIC TWIST LOCK

FA-8

Parts name



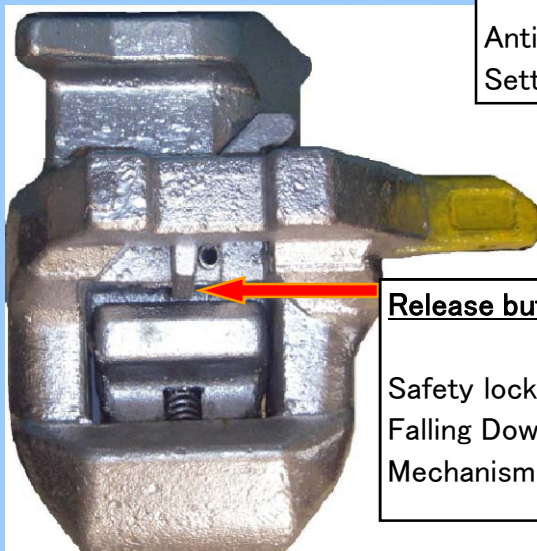
Twist Lock Indicator

We can confirm whether twist lock is surely existing or not between container boxes

Moving Locking

Upper cone

Anti Back side Front Setting Mechanism



Release button

Safety lock pin for Anti Falling Down Mechanism



Never happen of miss setting and fall down